

VOLUME DAMPER - CKH -01



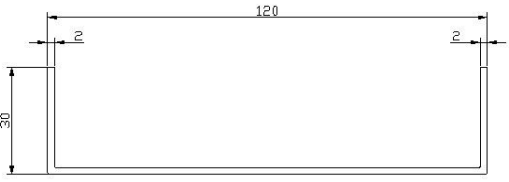
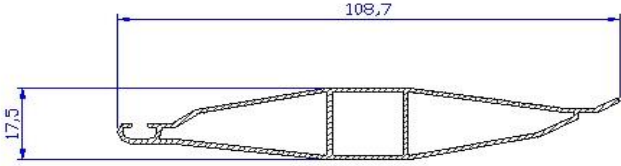
AREAS OF USE AND FEATURES: It is used to control the amount of air sucked or blown in Hvac systems and the pressure balance in the ducts. Wing angles are easy to adjust. If desired, it can be locked. Optionally, the engine can be installed and the desired flow rates can be provided automatically.

MATERIAL: Aluminum profile manufactured by extrusion method

SURFACE COATING: The product can be manufactured without anodized coating or paint.

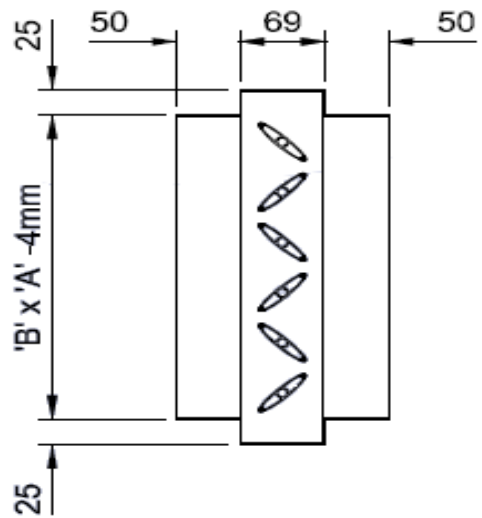
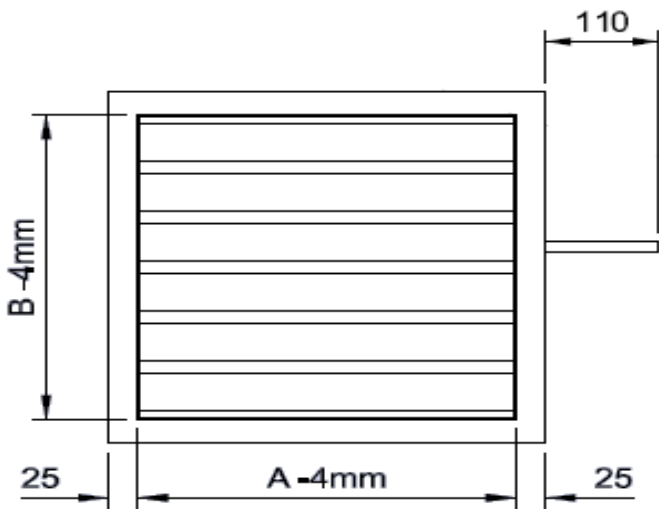
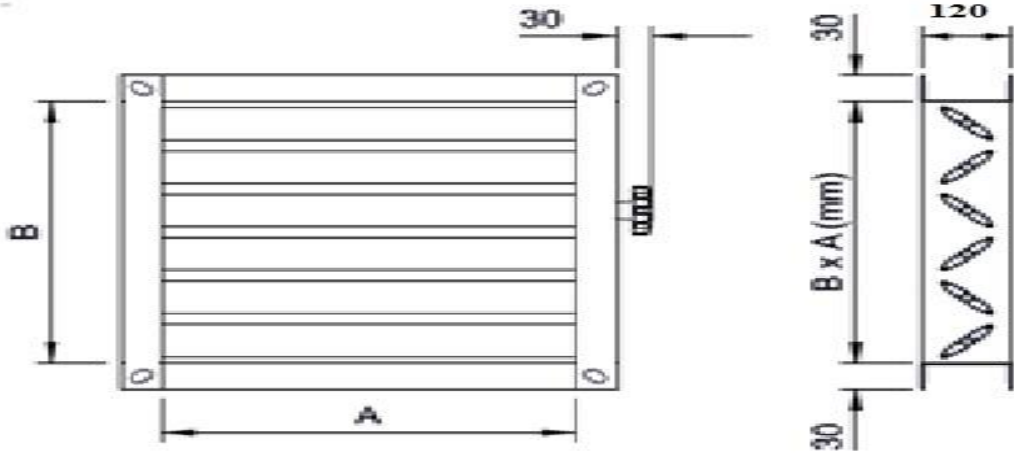
ACCESSORIES: Motor

FRAME AND WING MODELS

STANDARD FRAME	WING PROFILE
	

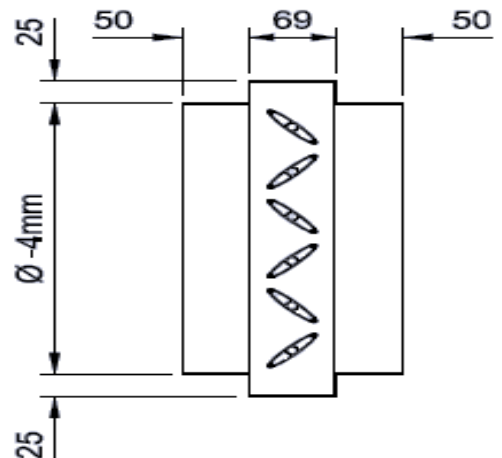
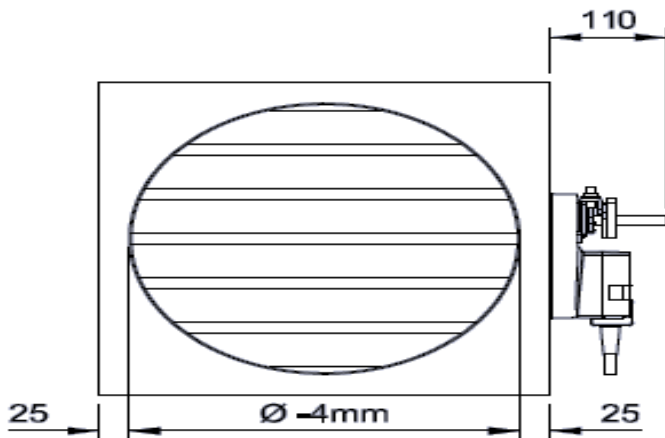
TECHNICAL MEASUREMENT

W	100-150-200-250-300-350-400-450-500-600-700-800-900-1000-1100-1200
H	100-150-200-250-300-350-400-450-500-600-700-800-900-1000



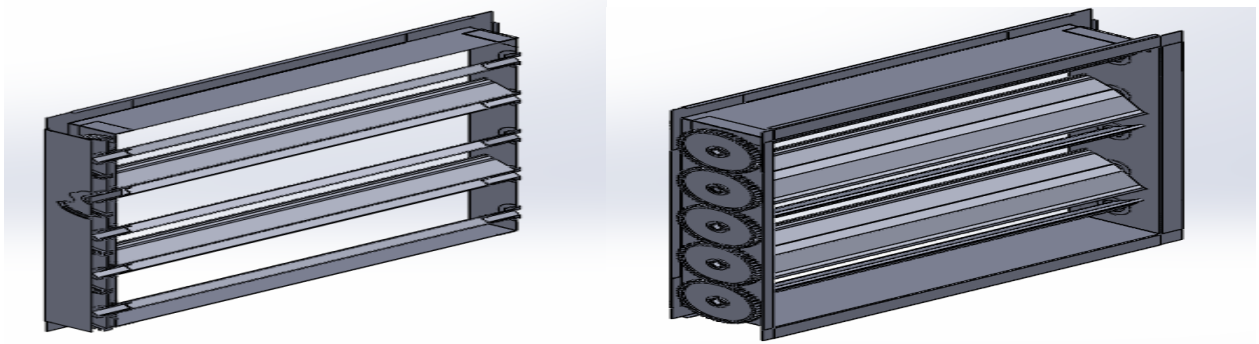
CKH-01

CKH-01M



CKH-01MB

DAMPER SECTION VIEW



SELECTION DIAGRAMS

CKH-01 PRESSURE AND SOUND LOSSES FOR TYPE												
AIR VELOCITIES			0,5	1	2	3	4	6	8	10	20	
WING ANGLES	0°	Static Pressure	Pa	-	1	4,5	7,16	7,5	24,77	42,39	78,89	648,3
			mmSS	-	0,1	0,46	0,72	0,76	2,52	4,32	8,04	66,09
	15°	Static Pressure	Pa	0,5	3,98	8,54	17,46	31,23	47,86	93,14	363,78	1580,9
			mmSS	0,05	0,41	0,87	1,78	3,18	4,88	9,49	37,08	161,15
	30°	Sound Value	dBa	10	22	38	46	53	58	70	81	-
			Pa	4,49	9,05	31,12	45,45	76,61	237,97	575,85	1713,4	5384,7
	45°	Static Pressure	mmSS	0,46	0,92	3,17	4,63	7,81	24,26	58,7	174,66	548,9
			dBa	20	32	49	55	60	71	83	95	-
	60°	Static Pressure	Pa	9,78	24,36	79,98	239,24	474,35	1314,1	3384,8	5887,3	-
			mmSS	1	2,48	8,15	24,39	48,35	133,96	345,04	600,13	-
	75°	Sound Value	dBa	31	47	58	68	78	89	-	-	-
			Pa	49,98	276,12	952,23	2503,1	-	-	-	-	-
	75°	Statik Basınç	mmSS	5,09	28,15	97,07	255,16	-	-	-	-	-
			dBa	52	62	84	95	-	-	-	-	-
	75°	Sound Value	Pa	362,67	1530,1	4538,1	6011,2	-	-	-	-	-
			mmSS	36,97	155,97	462,6	612,76	-	-	-	-	-
	75°	Sound Value	dBa	70	90	-	-	-	-	-	-	-